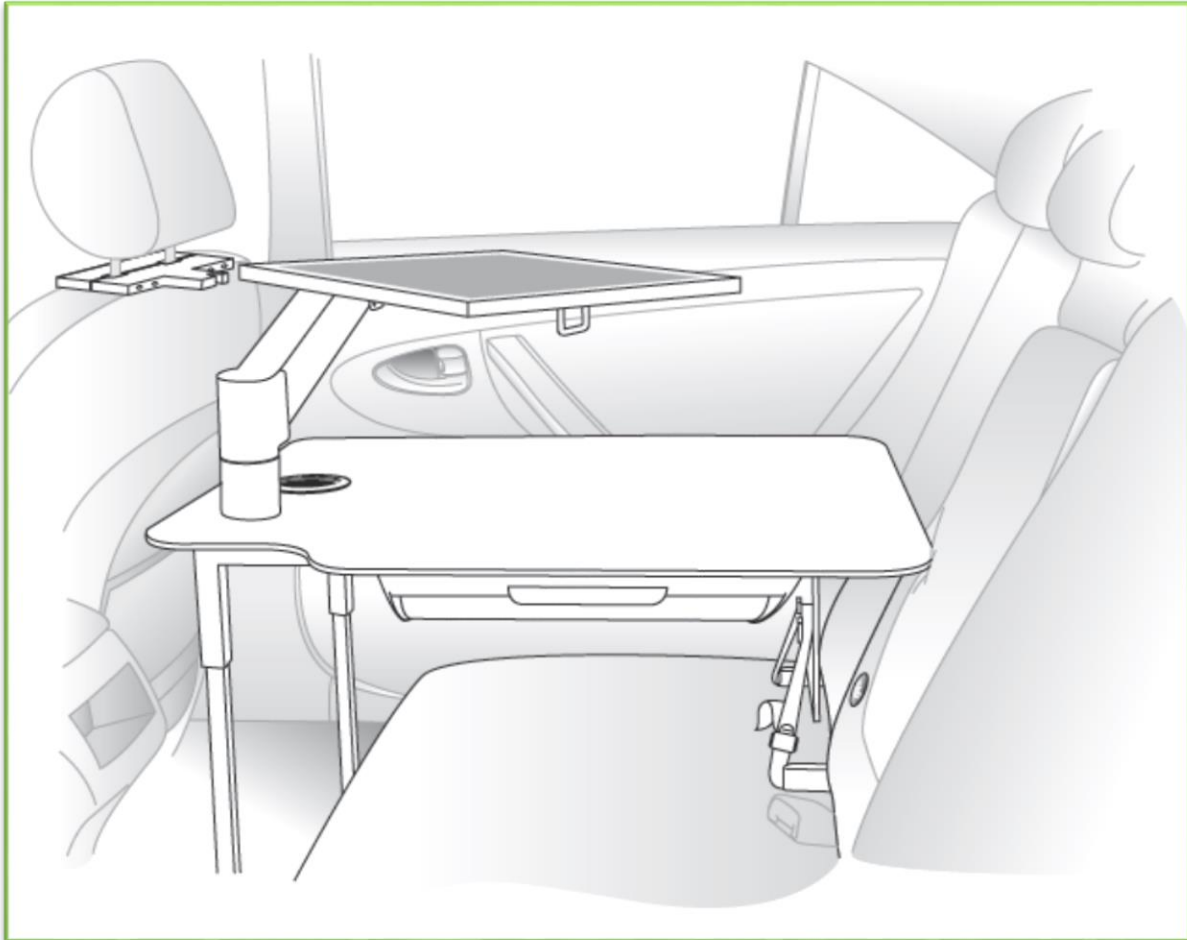




Mobile Office System

Sit Stand Car Desk User Guide



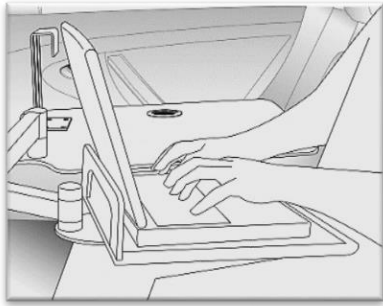
The Sit Stand Car Desk turns the rear seat of virtually any four door vehicle into a comfortable working environment. The system is designed to safely accommodate a laptop and printer while providing space for storage and paperwork.

The Sit Stand Car Desk is designed to be used in the rear seat of a vehicle. For your safety, do not use the desk while the vehicle is in motion. Make sure that your vehicle is parked safely and the transmission is not in gear before using the desk.

Note: Your desk and components may vary slightly from the pictures in the User Guide.

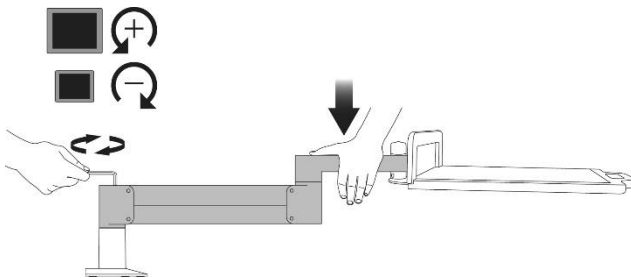
Laptop Arm Counterbalance

The Sit Stand Car Desk is equipped with an ergonomically designed arm for a laptop. The laptop arm can be used while seated facing forward, or while standing outside the passenger side of the vehicle.



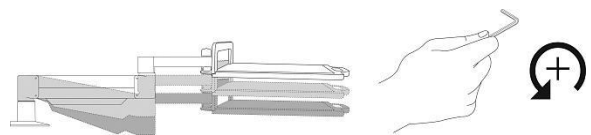
The Laptop Arm is counter-balanced to make it easy to maneuver. It may need to be adjusted to operate smoothly with your laptop. When the laptop arm is properly adjusted it will not rise or drop when in use.

Step 1

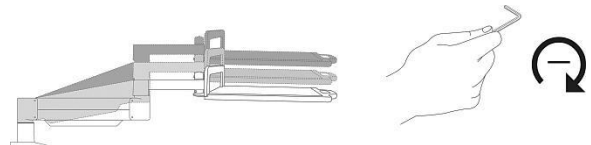


Place your laptop on the tray and then position the arm at the desired typing height.

If the arm **drifts upward** when you release it, use the Allen wrench provided to turn the adjustment screw clockwise.

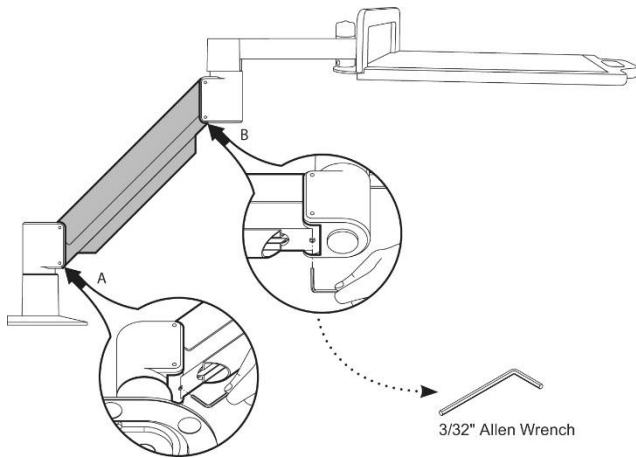


If the arm **drifts downward** when you release it, use the Allen wrench provided to turn the adjustment screw counter-clockwise.



Depending on the weight of your laptop, **you may have to turn the screw as many as 15-20 times.**

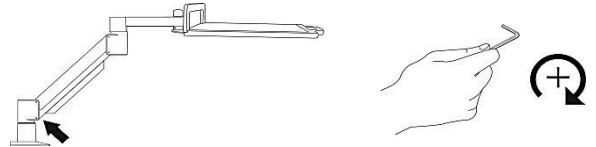
Step 2



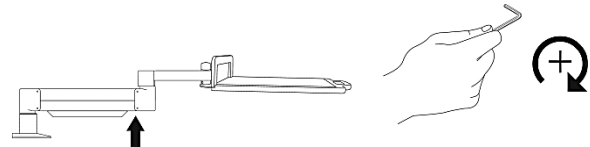
In some instances, further counter-balance adjustments are needed to allow the arm's instant height adjustment function to work properly.

If your arm is not staying in position after performing step 1, follow these steps:

With the arm in the raised position, tighten set screw **(A)**.



With the arm in the horizontal position, tighten set screw **(B)**.



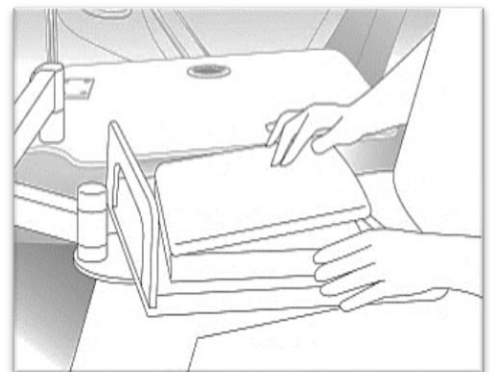
Do not over tighten screws.

Laptop Arm Retaining Clip

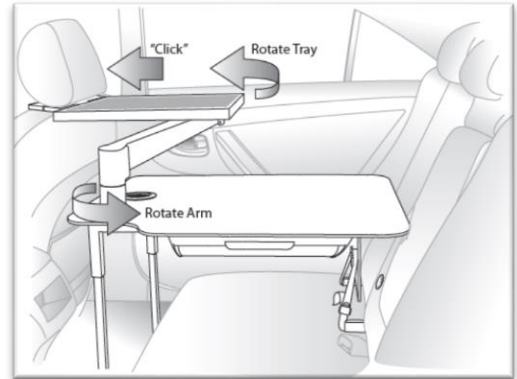
The Laptop Arm Retaining Clip is used to prevent the laptop arm and tray from moving while the vehicle is in motion. It should be used to secure the arm whenever the vehicle is being driven. **Note: Failure to use the clip could result in injury to you or damage to your vehicle.**

To secure the arm:

1. Remove your laptop and stow safely.
For your safety, do not leave the laptop on the tray while the vehicle is moving.



2. Rotate the laptop arm toward the passenger side rear door until the front of the laptop tray aligns with the retaining clip.
3. Press the laptop tray handle into the clip until it clicks.

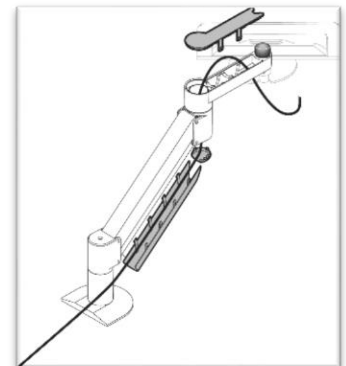


To release the arm:

1. Press the release lever on the retaining clip.
2. Rotate the tray until it reaches the desired position.

Wire Management

Your laptop's cables can be fed through the Laptop Arm by removing the wire covers and feeding the wires through the arm. Replace the covers when finished.



Tie Downs

Your Sit Stand Car Desk is supplied with a set of Thumb Lock TV Grips to secure your printer to the desk. Follow the instructions in the package for the proper way to install them.

Note: Failure to use the Thumb Lock TV Grips could result in personal injury to you or damage to your printer or the vehicle.




For assistance with desk installation, product information or any other questions, please contact Ergonomic Solutions at 1-800-755-4950 or info@goergo.com.

⚠ CAUTION 

While the vehicle is in motion:

- This product must be securely belted in the rear seat.
- Remove unsecured items from the desk and laptop tray and stow.
- Secure the laptop tray in the retaining clip.

Failure to follow these instructions may result in serious injury or death.
Questions: Ergonomic Solutions - 800-755-4950 or info@goergo.com

 Scan with
Mobile Device
For Operating
Instructions 

Thank you for choosing the Sit Stand Car Desk for your mobile office solution!

Ergonomic Solutions
WHERE THE OFFICE MEETS THE ROAD

505 E. Hawley Street, Suite 210
Mundelein, Illinois 60060
800.755.4950 toll free
847.566.4949 phone
847.327.1250 fax
www.goergo.com

Copyright © 2016 Ergonomic Solutions • All rights reserved.

