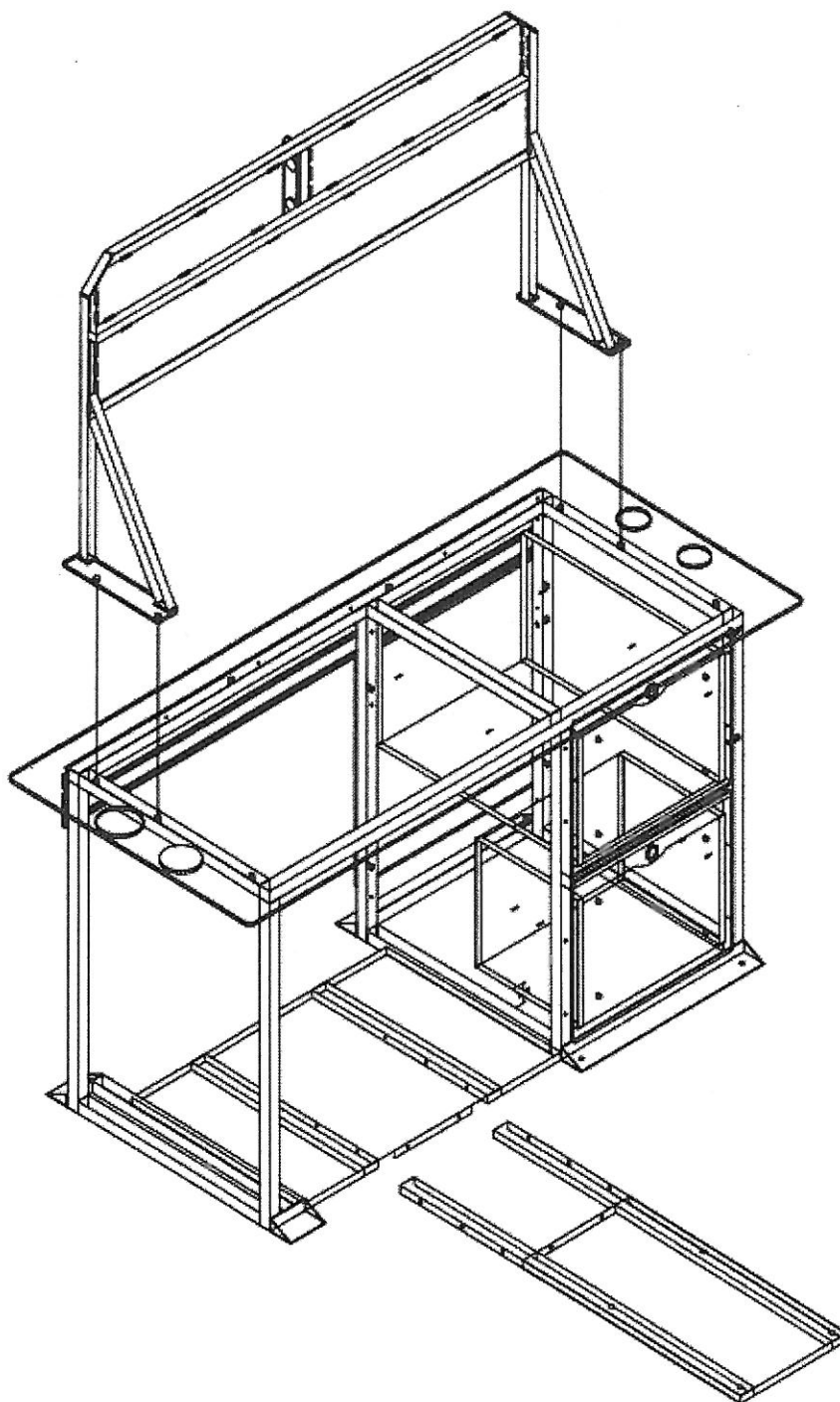


OVERHEAD UNIT INSTRUCTION SHEET



When installing the overhead unit, take (4) of the $\frac{1}{4}$ -20 x 2" bolts and nuts found packed in the gaylord box with overhead unit.

Position overhead unit as shown in the diagram and bolt to desk.

The bolts used to attach the overhead are longer than the bolts use to attach the top to the frame.